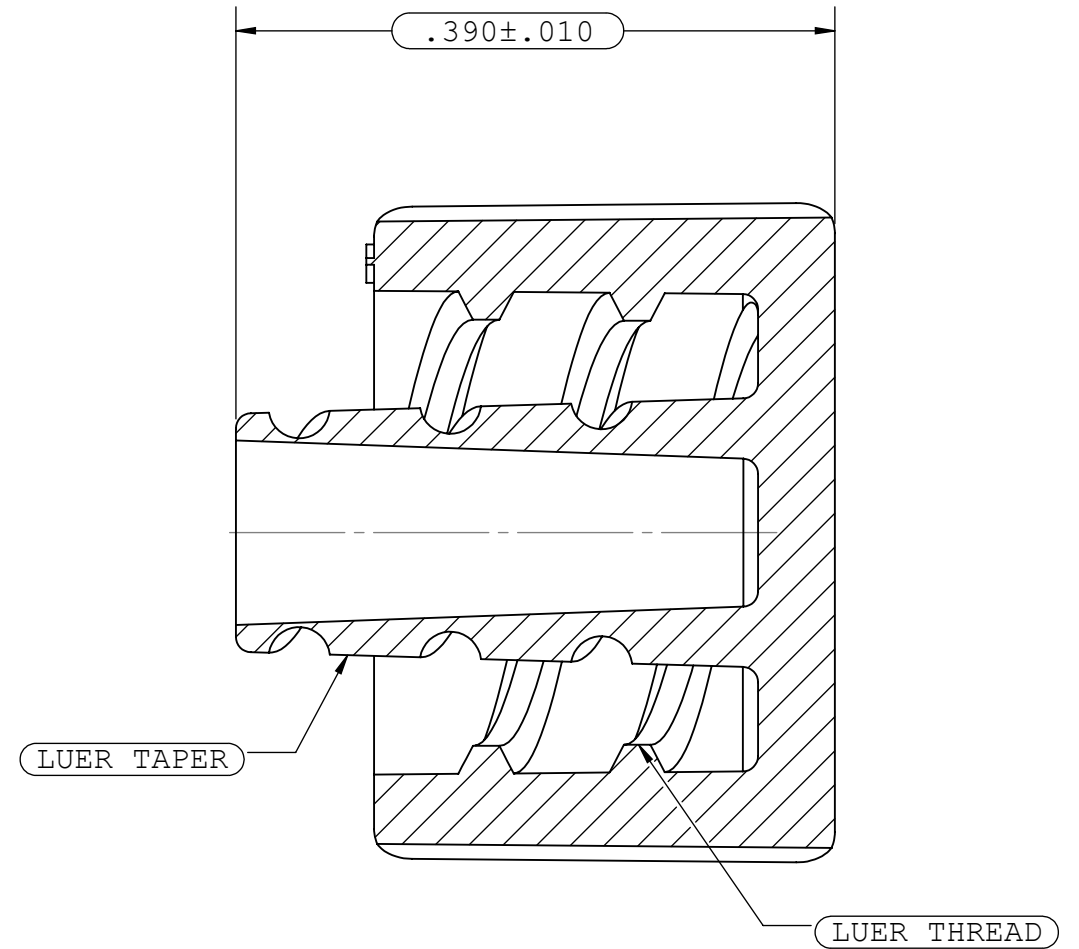
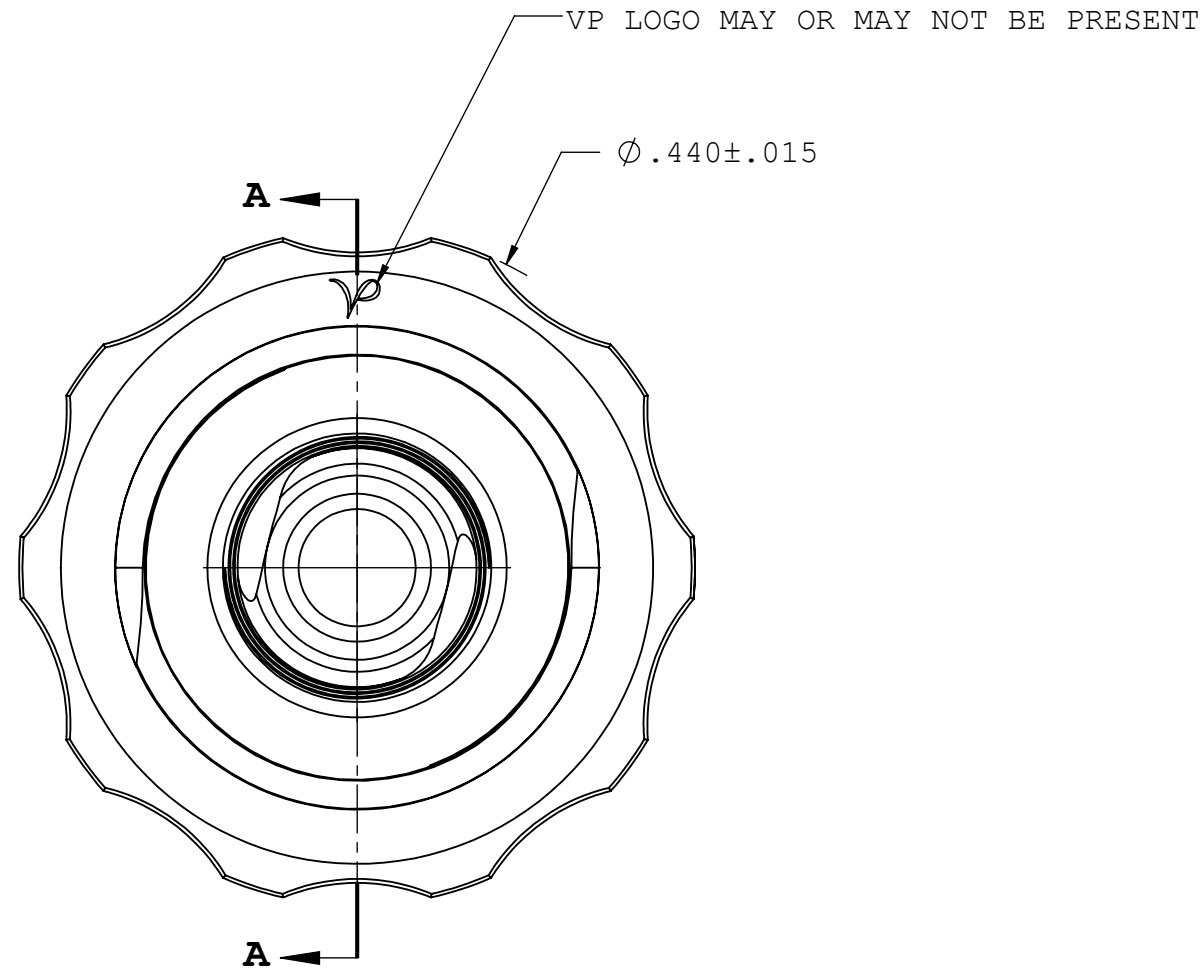
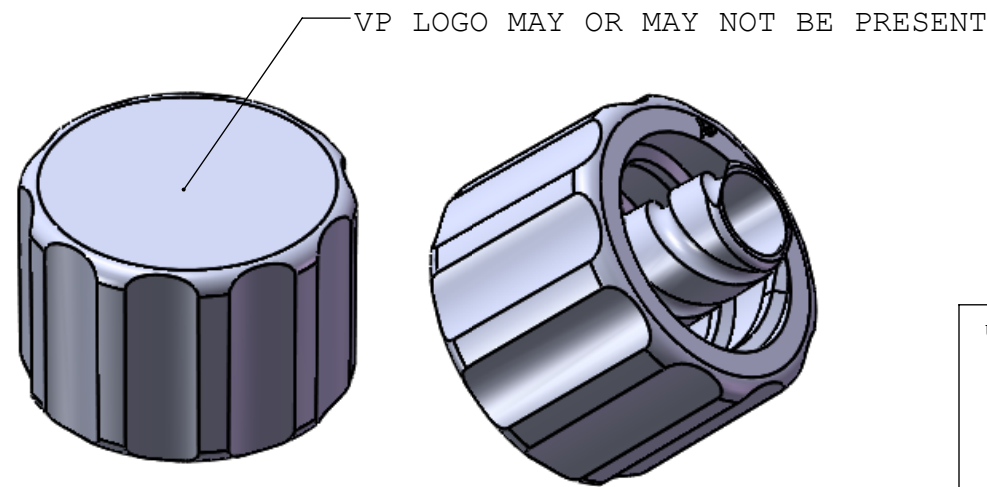


NOTES: FOR ADDITIONAL DETAILS, PLEASE CONTACT VP CUSTOMER SERVICE  
 DIMENSIONS MARKED  $\varnothing$  ARE CONTROL DIMENSIONS

REVISIONS			
REV.	DESCRIPTION	DATE	APPROVED
A	INITIAL RELEASE	05-01-98	
B	CO 018 Drafting Update	08-18-05	Rick C
C	ECO 325	12-21-15	H.L



**SECTION A-A**



UNLESS OTHERWISE SPECIFIED DIMENSIONS ARE IN INCHES TOLERANCES ARE:		<b>VALUE PLASTICS, INC</b>			
FRACTIONS    DECIMAL    ANGULAR ±            .XX ±.01    ± 1° .XXX ±.005 .XXXX ±.001		PART NUMBER: VLP4			
DO NOT SCALE DRAWING		DESCRIPTION: Male Luer Integral Lock Ring Vented Plug, Closed at Grip			
DRAWN BY: Frank.Lombardi	DATE: 4/14/2016	SIZE: <b>B</b>	SCALE: NTS	VER: 	DWG. NO.    REV 1006898    C
ENGINEERING MGR: Huadong Lou		© 2014 VALUE PLASTICS, INC			SHEET: 1 OF 1

**FOR REFERENCE ONLY**